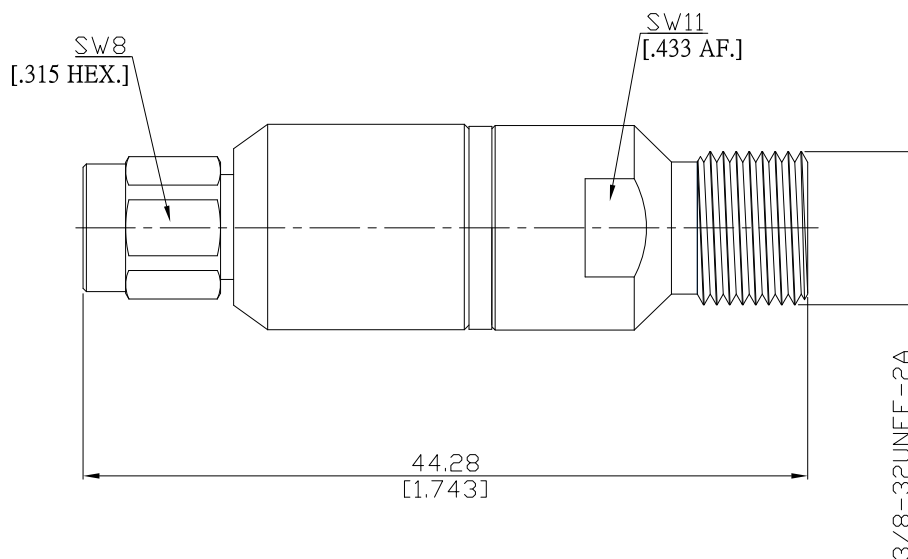


Impedance Matching Pads plug/jack
SMA 50 Ω plug (male) / F 75 Ω jack (female)

MP-A15F27A-2G-IPX7/H44-H4



All dimensions are in mm [inch]

Tolerances according to DIN ISO 2768-mH

Interface

SMA side according to

IEC 60169-15; MIL-C-39012; MIL-STD-348A/310

F side according to

IEC 61169-24

Electrical Data

Impedance

SMA - 50 Ω / F - 75 Ω

Frequency

DC to 2 GHz

VSWR

≤ 1.25

Attenuation

5.7 ± 0.5 dB

Power Rating

0.7 Watt Avg to +40°C

Linearly derated to 0 Watt at +125 °C

Mechanical Data

Coupling mechanisms

SMA (Screw-lock) ; F (Screw-lock)

Weight

N/A

Environmental Data

RoHS

compliant

IP rating

IPX7

Material And Plating

Piece Parts (SMA)	Material	Plating
Centre contact	Phosphor Bronze	Gold plating(Nickel underplated)
Body	Brass	Copper-Tin-Zinc Alloy
Insulator	PTFE	
Gasket	Silicone Rubber	
Coupling nut	Brass	Copper-Tin-Zinc Alloy
Piece Parts (F)	Material	Plating
Centre contact	Phosphor Bronze	Gold plating(Nickel underplated)
Body	Brass	Copper-Tin-Zinc Alloy
Insulator	PTFE	

Packing

Single or 100

The facts and figures herein are carefully compiled to the best of our knowledge, but they are intended for general informational purposes only. In the effort to improve our products, we reserve the right to make changes judged to be necessary.

Rev.:-	Rosnol RF/Microwave Technology www.rosnol.com ; info@rosnol.com
Date: 19/11/10	Phone: +886-3-463-5095 / Fax:+886-3-463-5952 N-CAGE Code: SFKK0

Page

1/1