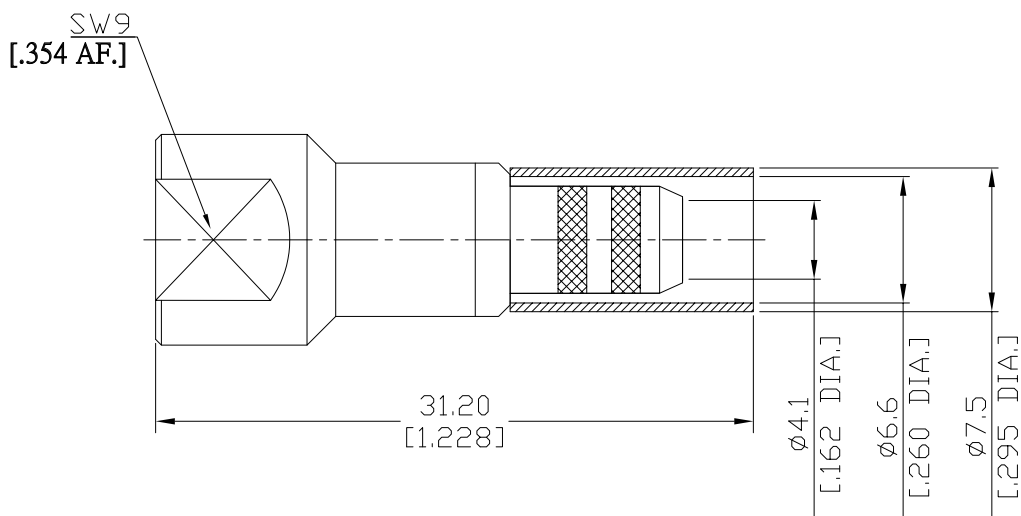


FME Straight Cable Plug

FME1C50-R240A/13



All dimensions are in mm [inch]

Tolerances according to DIN ISO 2768-mH

Interface

According to N/A

Electrical Data

Impedance 50 Ω

Frequency DC to 2.5 GHz

- Limitations are possible due to the used cable type and manufacturing process -

Mechanical Data

Coupling mechanisms Screw-lock
Centre contact Soldered; Crimped
Cable entry Crimped

Environmental Data

Temperature range -65°C to +165°C
RoHS compliant

Material And Plating

Connector parts	Material	Plating
Centre contact	Brass	Gold plating(Nickel underplated)
Body	Brass	Nickel
Insulator	PTFE	
Crimp ferrule	Brass	Nickel

Suitable Cables

LMR 240, BELDEN H155, RNL-240, BELDEN 7808A, BELDEN 9258

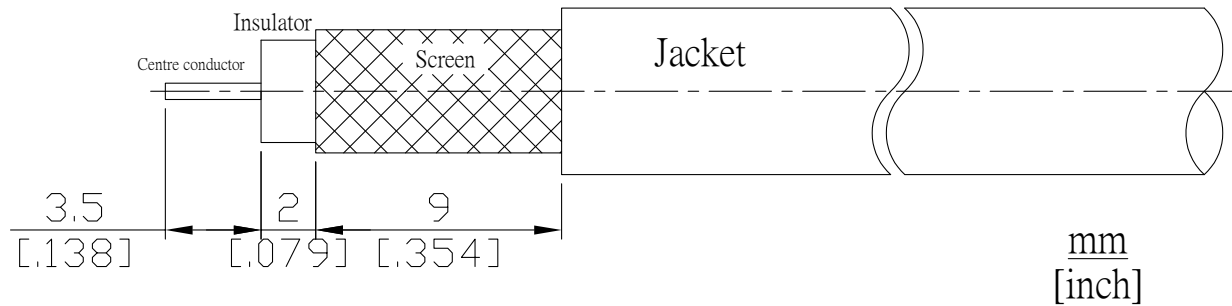
Packing

Single or 100

FME Straight Cable Plug

FME1C50-R240A/13

Recommended Cable Stripping Dimensions



Crimp Dimensions [HEX]

Crimp ferrule	6.48mm [.255 inch]
Centre contact	1.73mm [.068 inch]