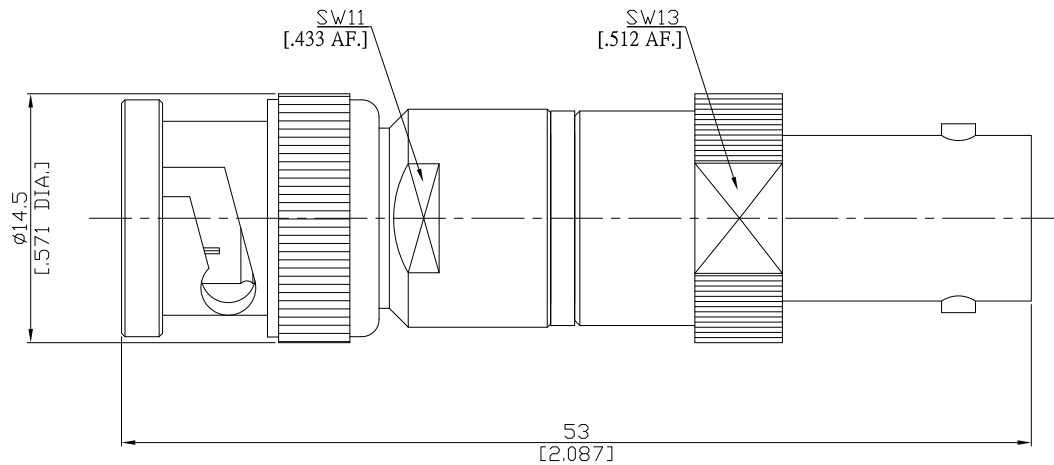


DC Block Plug / Jack
BNC plug (male) / BNC jack (female)

DB-B1B25A-2KV3G/H44-H4



All dimensions are in mm [inch]
Tolerances according to DIN ISO 2768-mH

Interface

According to IEC 60169-8; MIL-STD-348A/301

Electrical Data

Impedance 50 Ω
Frequency DC to 3 GHz
VSWR (Return Loss) ≤ 1.20 (≥ 20.8 dB)
Insertion Loss ≤ 0.2 dB
Voltage rating (Volts) DC 2000 V

Mechanical Data

Coupling mechanisms Bayonet-lock
Weight 0.0189 kg

Environmental Data

Temperature range -55°C to +90°C
RoHS compliant

Material And Plating

Piece Parts (BNC)	Material	Plating
Centre contact	Phosphor Bronze	Gold plating(Nickel underplated)
Body	Brass	Copper-Tin-Zinc Alloy
Insulator	PTFE	
Gasket	Silicone Rubber	
Coupling nut	Brass	Copper-Tin-Zinc Alloy
Piece Parts (BNC)	Material	Plating
Centre contact	Phosphor Bronze	Gold plating(Nickel underplated)
Body	Brass	Copper-Tin-Zinc Alloy
Insulator	PTFE	

Packing

Single or 100