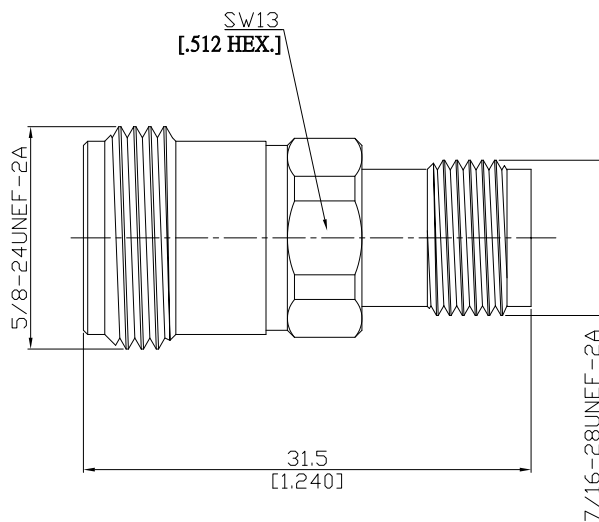


Adaptor jack/jack  
Precision N jack (female) / Precision TNC jack (female)

AD-PCN2PCT25B/9X-9X



All dimensions are in mm [inch]  
Tolerances according to DIN ISO 2768-mH

**Interface**

Precision N according to IEC 60169-16; MIL-STD 348A/402  
Precision TNC according to IEC 60169-26

**Electrical Data**

Impedance 50 Ω  
Frequency DC to 18 GHz  
VSWR (Return Loss) 1.30 (≥ 17.69 dB)  
Insertion Loss ≤ 0.1 x √F [GHz] dB

**Mechanical Data**

Coupling mechanisms Precision N (Screw-lock); Precision TNC (Screw-lock)  
Weight N/A

**Environmental Data**

Temperature range -60°C to +100°C  
RoHS compliant

**Material And Plating**

Piece Parts (Precision N)	Material	Plating
Centre contact	Beryllium Copper	Gold plating(Nickel underplated)
Body	Stainless Steel	Passivated
Insulator	PTFE	

Piece Parts (Precision TNC)	Material	Plating
Centre contact	Beryllium Copper	Gold plating(Nickel underplated)
Body	Stainless Steel	Passivated
Insulator	PTFE	

**Packing**

Single or 100