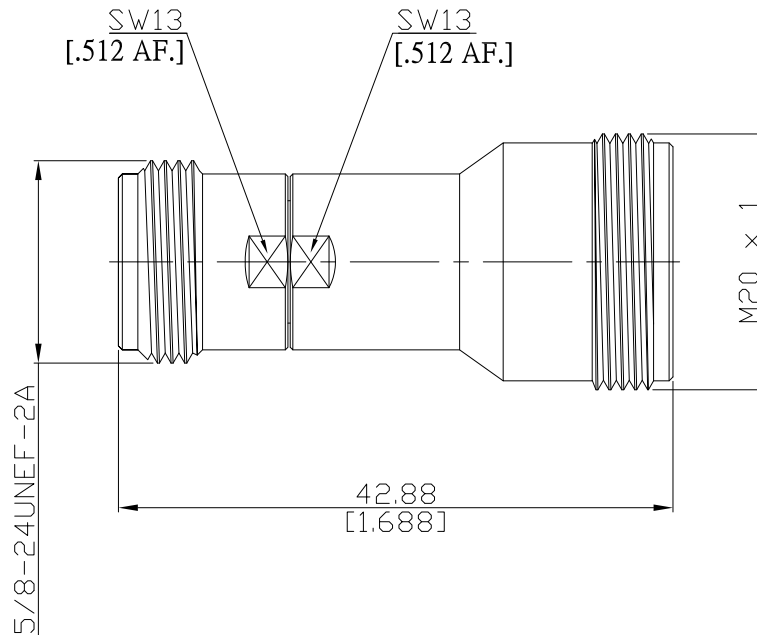


Adaptor jack/jack  
Precision N jack (female) / 4.1-9.5 jack (female)

AD-PCN2MD25A/9X-94



All dimensions are in mm [inch]

Tolerances according to DIN ISO 2768-mH

#### Interface

Precision N according to  
4.1-9.5 according to

IEC 60169-16; CECC 22 210; MIL-C-39012; MIL-STD 348A/304  
IEC 60169-11

#### Electrical Data

Impedance 50 Ω  
Frequency DC to 14 GHz  
VSWR (Return Loss) ≤ 1.13 (≥ 24 dB)  
Insertion Loss ≤ 0.04 × √F (GHz) dB

#### Mechanical Data

Coupling mechanisms Precision N (Screw-lock); 4.1-9.5 (Screw-lock)  
Weight 0.0190 kg

#### Environmental Data

Temperature range -65°C to +165°C  
RoHS compliant

#### Material And Plating

Piece Parts (Precision N)	Material	Plating
Centre contact	Beryllium Copper	Gold plating(Nickel underplated)
Body	Stainless Steel	Passivated
Insulator	PTFE	
Piece Parts (4.1-9.5)	Material	Plating
Centre contact	Beryllium Copper	Gold plating(Nickel underplated)
Body	Brass	Copper-Tin-Zinc Alloy
Insulator	PTFE	

#### Packing

Single or 100