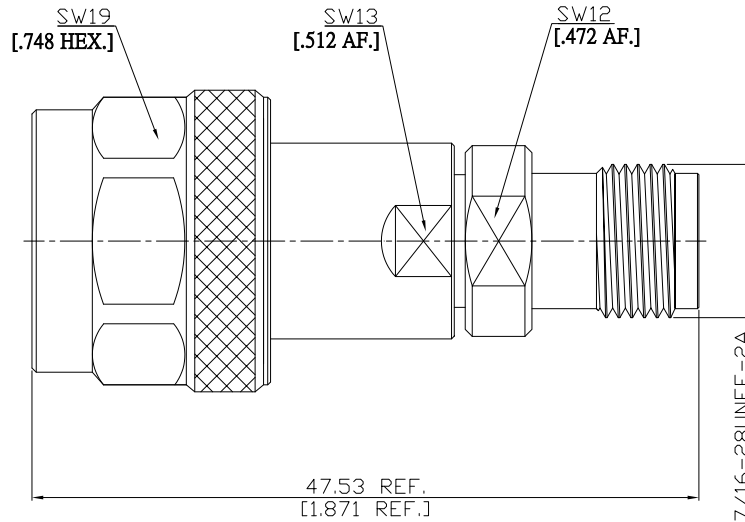


Precision N Plug (Male) to Precision TNC Jack (Female) Adapter
DC-18GHz VSWR 1.15

AD-PCN1PCT25A/9XX-9X



All dimensions are in mm [inch]
Tolerances according to DIN ISO 2768-mH

Interface

According to

Precision N Side	Precision TNC Side
IEC 60169-16; MIL-STD 348B/402	IEC 60169-26

Electrical Data

Impedance	50 Ω	
Frequency	DC to 18 GHz	
VSWR (Return Loss)	≤ 1.15 (≥ 23.13 dB)	
Insertion Loss	≤ 0.1 x √F (GHz) dB	
Insulation Resistance	≥ 5 GΩ	
Center Contact Resistance	≤ 1.0 mΩ, Precision N Side	≤ 1.5 mΩ, Precision TNC Side
Outer Contact Resistance	≤ 1.0 mΩ, Precision N Side	≤ 1.0 mΩ, Precision TNC Side
Test Voltage (at sea level)	1500 V rms	
Working Voltage (at sea level)	500 V rms	

Material And Plating

Piece Parts (Precision N)	Material	Plating
Centre Contact	Beryllium Copper	Gold plating, 3 μinch (Non-magnetic nickel-phosphorus underplating, 80 μinch)
Body	Stainless Steel	Passivated
Insulator	PS	
Gasket	Silicone Rubber	
Coupling Nut	Stainless Steel	Passivated
Piece Parts (Precision TNC)	Material	Plating
Centre Contact	Beryllium Copper	Gold plating, 3 μinch (Non-magnetic nickel-phosphorus underplating, 80 μinch)
Body	Stainless Steel	Passivated
Insulator	PTFE	

Precision N Plug (Male) to Precision TNC Jack (Female) Adapter
DC-18GHz VSWR 1.15

AD-PCN1PCT25A/9XX-9X

Mechanical Data

	Precision N Side	Precision TNC Side
Coupling mechanisms	Screw-lock	Screw-lock
Mating Cycles	≥ 500	≥ 500
Coupling Nut Retention	N/A	N/A
Center Contact Captivation: axial	≥ 27 N	≥ 27 N
Weight	0.0415 kg	
Coupling Test Torque	1.7 Nm max.	1.7 Nm max.
Recommended Torque	1.35 Nm	1.35 Nm

Environmental Data

Temperature Range	-60°C to +100°C
Thermal shock	MIL-STD-202, Meth. 107, Cond. B
Corrosion	MIL-STD-202, Meth. 101, Cond. B
Vibration	MIL-STD-202, Meth. 204, Cond. D
Shock	MIL-STD-202, Meth. 213, Cond. I
Moisture Resistance	MIL-STD-202, Meth. 106
RoHS	compliant

Packing

Single or 100