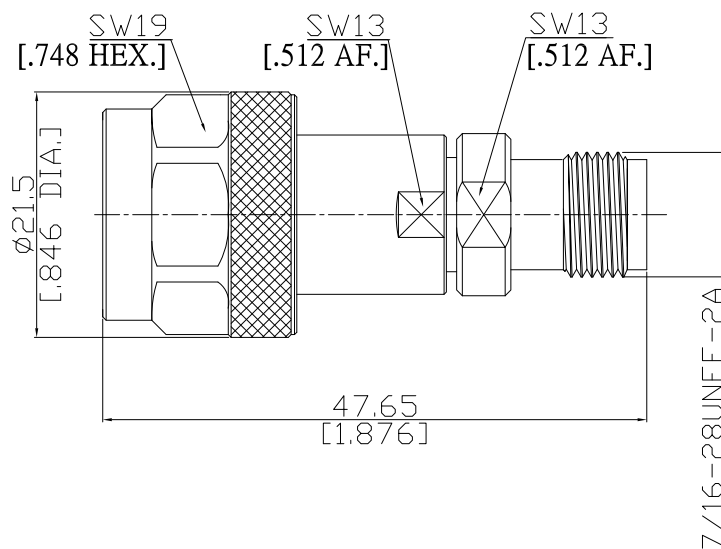


Adaptor plug/jack  
Precision N plug (male) / Precision TNC jack (female)

AD-PCN1PCT25A/933-93



All dimensions are in mm [inch]  
Tolerances according to DIN ISO 2768-mH

#### Interface

Precision N according to IEC 60169-16; MIL-STD 348A/402  
Precision TNC according to IEC 60169-26

#### Electrical Data

Impedance 50  $\Omega$   
Frequency DC to 18 GHz  
VSWR (Return Loss) 1.30 ( $\geq 17.69$  dB)  
Insertion Loss  $\leq 0.1 \times \sqrt{F}$  (GHz) dB

#### Mechanical Data

Coupling mechanisms Precision N (Screw-lock); Precision TNC (Screw-lock)  
Weight N/A

#### Environmental Data

Temperature range -60°C to +100°C  
RoHS compliant

#### Material And Plating

Piece Parts (Precision N)	Material	Plating
Centre contact	Beryllium Copper	Gold plating(Nickel underplated)
Body	Brass	Nickel
Insulator	PS	
Gasket	Silicone rubber	
Coupling nut	Brass	Nickel
Piece Parts (Precision TNC)	Material	Plating
Centre contact	Beryllium Copper	Gold plating(Nickel underplated)
Body	Brass	Nickel
Insulator	PTFE	

#### Packing

Single or 100