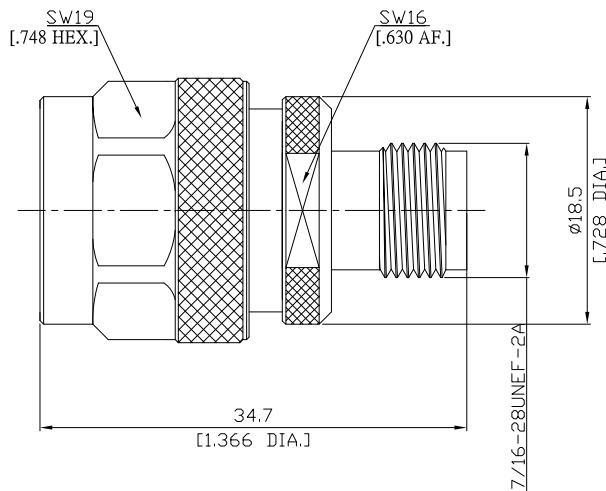


**Adaptor Plug / Jack**  
N plug (male) / TNC jack (female)

**AD-N1T25A/144-94**



All dimensions are in mm [inch]  
Tolerances according to DIN ISO 2768-mH

**Interface**

N side according to IEC 61169-16; MIL-C-39012; MIL-STD-348A/304; CECC 22210  
TNC side according to IEC 61169-17; MIL-C-39012; MIL-STD-348A/313

**Electrical Data**

Impedance 50 Ω  
Frequency DC to 11 GHz  
VSWR (Return Loss) ≤ 1.20 (≥ 20.8 dB)  
Insertion Loss ≤ 0.05 x √F (GHz) dB

**Mechanical Data**

Coupling mechanisms N (Screw-lock) ; TNC (Screw-lock)  
Weight 0.0423 kg

**Environmental Data**

Temperature range -65°C to +165°C  
RoHS compliant

**Material And Plating**

Piece Parts (N)	Material	Plating
Centre contact	Brass	Gold plating(Nickel underplated)
Body	Brass	Copper-Tin-Zinc Alloy
Insulator	PTFE	
Gasket	Silicone Rubber	
Coupling nut	Brass	Copper-Tin-Zinc Alloy
Piece Parts (TNC)	Material	Plating
Centre contact	Beryllium Copper	Gold plating(Nickel underplated)
Body	Brass	Copper-Tin-Zinc Alloy
Insulator	PTFE	

**Packing**

Single or 100