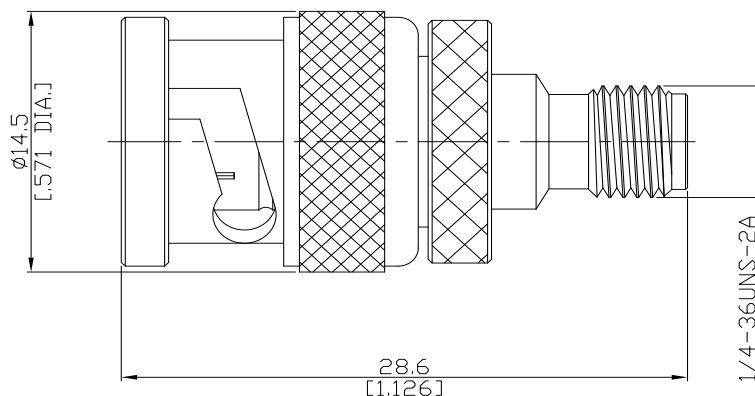


Adaptor plug/jack
BNC plug (male) / SMA jack (female)

AD-B1A25A/944-91



All dimensions are in mm [inch]

Tolerances according to DIN ISO 2768-mH

Interface

According to

BNC Side: IEC 60169-8; CECC 22120; MIL-C-39012; MIL-STD-348A/301

SMA Side: IEC 60169-15; MIL-C-39012; MIL-STD-348A/310

Electrical Data

Impedance

50 Ω

Frequency

DC to 6 GHz

VSWR (Return Loss)

DC-4 GHz: ≤ 1.15 (≥ 23.13 dB) 4-6 GHz: ≤ 1.2 (≥ 20.83 dB)

Insertion Loss

≤ 0.05 × √F (GHz) dB

Mechanical Data

Coupling mechanisms

BNC (Bayonet-lock); SMA (Screw-lock)

Weight

0.0149 kg

Environmental Data

Temperature range

-65°C to +165°C

RoHS

compliant

Material And Plating

Piece Parts (BNC)	Material	Plating
Centre contact	Beryllium Copper	Gold plating (nickel underplating)
Body	Brass	Copper-Tin-Zinc Alloy
Insulator	PTFE	
Gasket	Silicone Rubber	
Coupling nut	Brass	Copper-Tin-Zinc Alloy
Piece Parts (SMA)	Material	Plating
Centre contact	Beryllium Copper	Gold plating (nickel underplating)
Body	Brass	Gold plating (nickel underplating)
Insulator	PTFE	

Packing

Single or 100