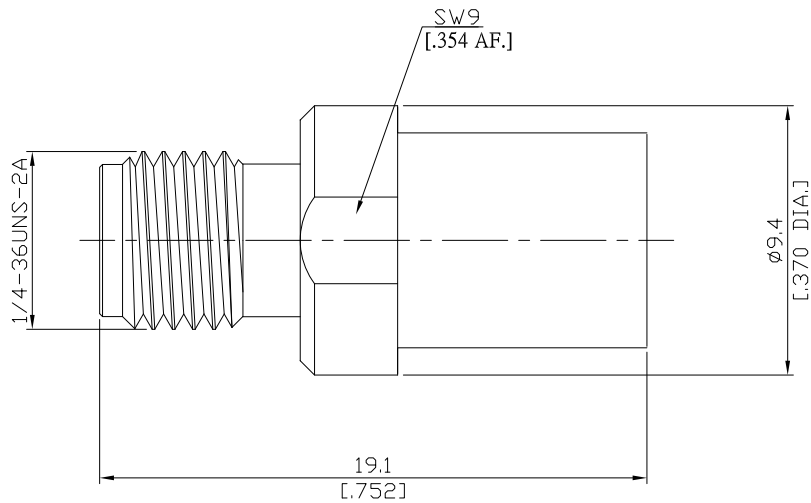


Adaptor Jack / Jack
SMA jack (female) / BMA jack (female)

AD-A2BA25A/91-99



All dimensions are in mm [inch]
Tolerances according to DIN ISO 2768-mH

Interface

According to IEC 60169-15; MIL-C-39012; MIL-STD-348A/310
IEC 60169-10; MIL-STD-348A/321

Electrical Data

Impedance 50 Ω
Frequency DC to 18 GHz

Mechanical Data

Coupling mechanisms SMA (Screw-lock) ; BMA (Slide-on)
Weight 0.0038 kg

Environmental Data

Temperature range -65°C to +125°C
RoHS compliant

Material And Plating

Piece Parts (SMA)	Material	Plating
Centre contact	Beryllium Copper	Gold plating(Nickel underplated)
Body	Brass	Gold plating(Nickel underplated)
Insulator	PTFE	
Piece Parts (BMA)	Material	Plating
Centre contact	Beryllium Copper	Gold plating(Nickel underplated)
Body	Beryllium Copper	Gold plating(Nickel underplated)
Insulator	PTFE	

Packing

Single or 100