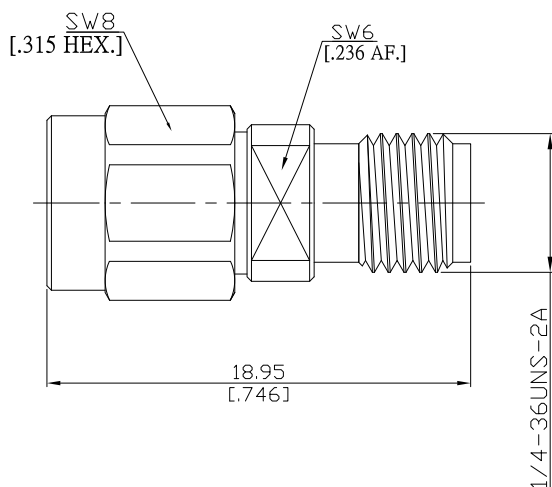


Adaptor plug/jack
SMA plug (male) / 2.92mm jack (female)

AD-A1K25A/9XX-9X



All dimensions are in mm [inch]
Tolerances according to DIN ISO 2768-mH

Interface

SMA according to IEC 60169-15; MIL-C-39012; MIL-STD-348A/310
2.92mm according to IEC 61169-35

Electrical Data

Impedance 50 Ω
Frequency DC to 18 GHz
VSWR (Return Loss) ≤ 1.15 (≥ 23.1 dB)
Insertion Loss ≤ 0.05 x √F (GHz) dB

Mechanical Data

Coupling mechanisms Screw-lock
Weight 0.0054 kg

Environmental Data

Temperature range -60°C to +100°C
RoHS compliant

Material And Plating

Piece Parts (SMA)	Material	Plating
Centre contact	Beryllium Copper	Gold plating(Nickel underplated)
Body	Stainless Steel	Passivated
Insulator	PTFE	
Coupling nut	Stainless Steel	Passivated
Piece Parts (2.92mm)	Material	Plating
Centre contact	Beryllium Copper	Gold plating(Nickel underplated)
Body	Stainless Steel	Passivated
Insulator	PS	
Gasket	Silicone Rubber	

Packing

Single or 100