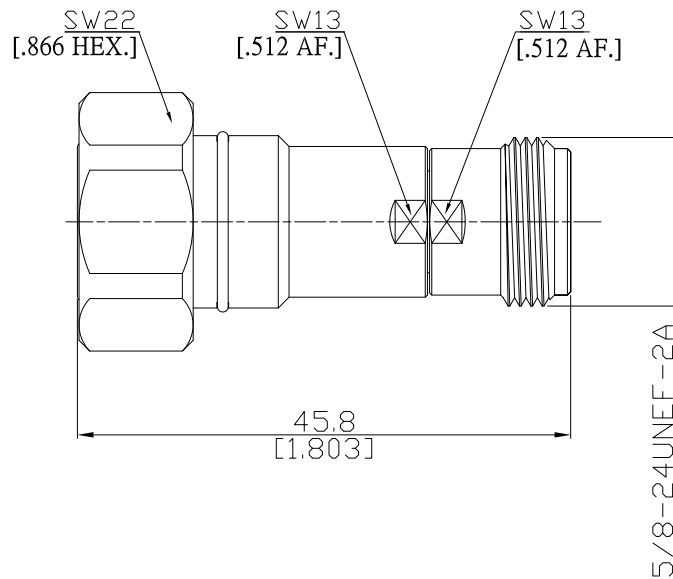


Adaptor Plug / Jack
4.3/10 plug (male) / Precision N jack (female)

AD-43101PCN25A/144-9X



All dimensions are in mm [inch]
Tolerances according to DIN ISO 2768-mH

Interface

Precision N according to IEC 60169-16; IEEE Std 287-2007; MIL-STD 348A/304
4.3/10 according to IEC 61169-54

Electrical Data

Impedance 50 Ω
Frequency DC to 12 GHz
VSWR (Return Loss) ≤ 1.15 (≥ 23.1 dB)
Insertion Loss ≤ 0.05 x √F (GHz) dB

Mechanical Data

Coupling mechanisms 4.3/10 (Screw-lock); Precision N (Screw-lock)
Weight N/A

Environmental Data

Temperature range -40°C to +85°C
RoHS compliant

Material And Plating

Piece Parts (4.3/10)	Material	Plating
Centre contact	Brass	Gold plating (without Nickel underplating)
Body	Brass	Copper-Tin-Zinc Alloy
Insulator	PTFE	
Gasket	Silicone Rubber	
Coupling nut	Brass	Copper-Tin-Zinc Alloy

Piece Parts (Precision N)	Material	Plating
Centre contact	Beryllium Copper	Gold plating (without Nickel underplating)
Body	Stainless Steel	Passivated
Insulator	PTFE	

Packing

Single or 100